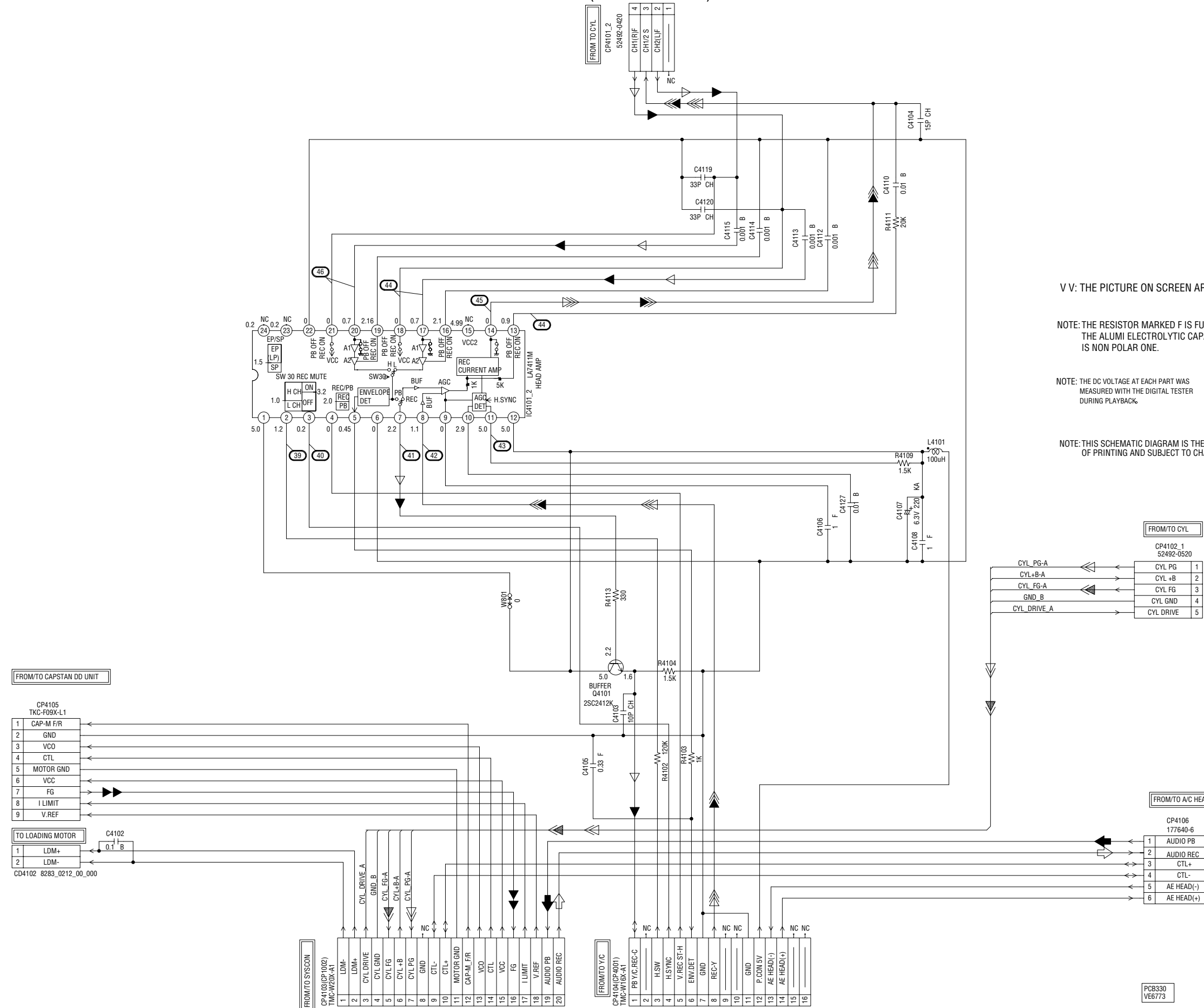


# HEAD AMP SCHEMATIC DIAGRAM

(HEAD AMP PCB)



V V: THE PICTURE ON SCREEN APPEARS DURING PLAYBACK.

NOTE: THE RESISTOR MARKED F IS FUSE RESISTOR.  
THE ALUMI ELECTROLYTIC CAPACITOR MARKED NP IS NON POLAR ONE.

NOTE: THE DC VOLTAGE AT EACH PART WAS MEASURED WITH THE DIGITAL TESTER DURING PLAYBACK.

NOTE: THIS SCHEMATIC DIAGRAM IS THE LATEST AT THE TIME OF PRINTING AND SUBJECT TO CHANGE WITHOUT NOTICE .

FROM/TO CYL

CP4102_1 52492-0520	
CYL PG-A	CYL PG 1
CYL+B-A	CYL +B 2
CYL FG-A	CYL FG 3
GND_B	CYL GND 4
CYL DRIVE A	CYL DRIVE 5

FROM/TO CAPSTAN DD UNIT

CP4105 TKC-F09X-L1	
1 CAP-M F/R	
2 GND	
3 VCO	
4 CTL	
5 MOTOR GND	
6 VCC	
7 FG	
8 I LIMIT	
9 V.REF	

TO LOADING MOTOR

CD4102 8283_0212_00_000	
1 LDM+	
2 LDM-	

FROM/TO A/C HEAD

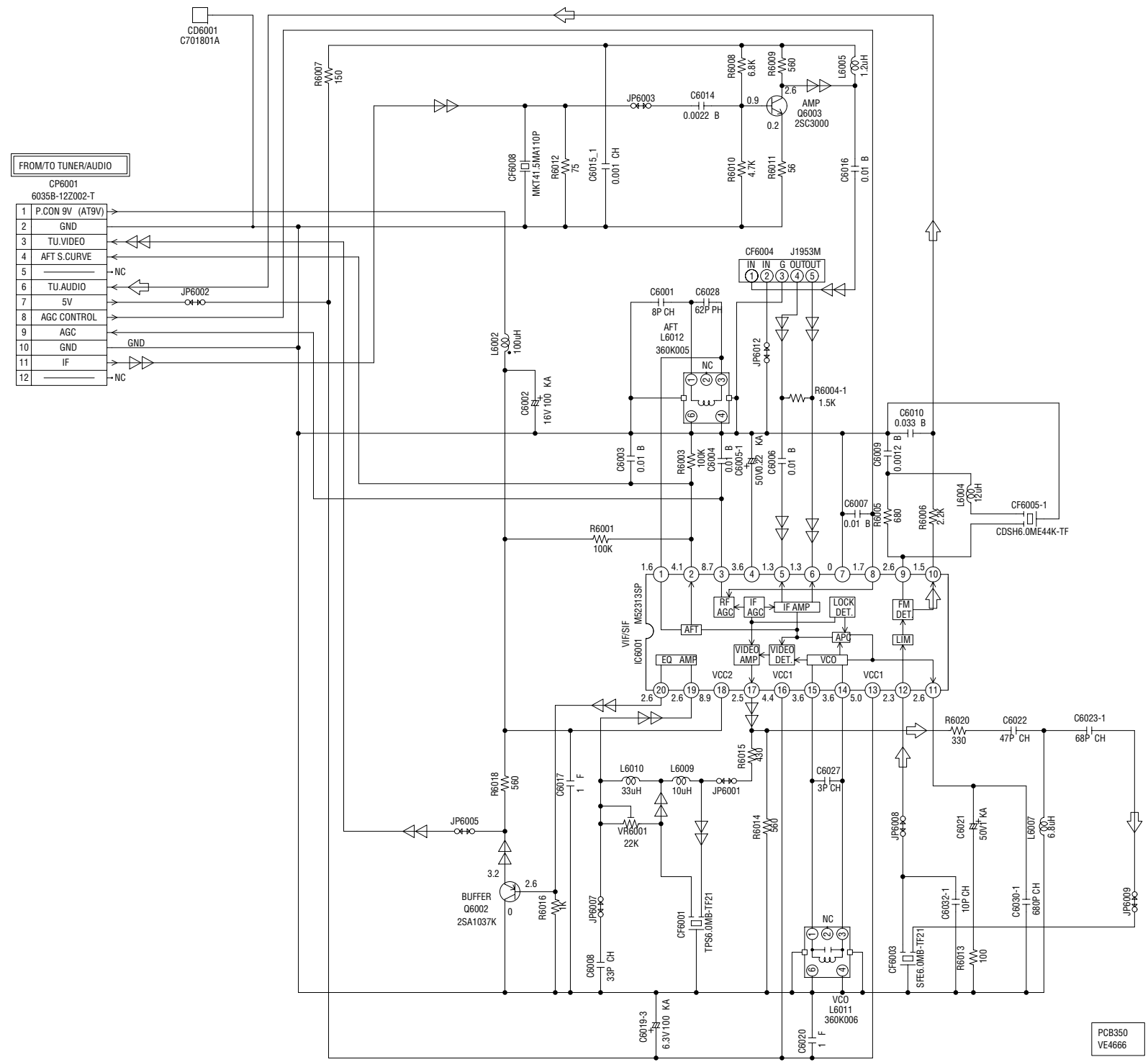
CP4106 177640-6	
1 AUDIO PB	
2 AUDIO REC	
3 CTL+	
4 CTL-	
5 AE HEAD(-)	
6 AE HEAD(+)	

- ◀ CAPSTAN AFC SIGNAL
- ◀ RECORD LUMINANCE SIGNAL
- ▶ PLAYBACK LUMINANCE SIGNAL
- ◀ RECORD COLOR SIGNAL
- ◀ PLAYBACK COLOR SIGNAL
- ◀ AUDIO SIGNAL(REC)
- ▶ AUDIO SIGNAL(PB)
- ◀ CYLINDER AFC SIGNAL
- ◀ CYLINDER APC SIGNAL

PCB330  
VE6773

# IF SCHEMATIC DIAGRAM

(IF PCB)



FROM TO TUNER/AUDIO

1	P.CON 9V (AT9V)	
2	GND	
3	TU.VIDEO	
4	AFT S.CURVE	
5		NC
6	TU.AUDIO	
7	5V	
8	AGC CONTROL	
9	AGC	
10	GND	
11	IF	
12		NC

NOTE: THE DC VOLTAGE AT EACH PART WAS MEASURED WITH THE DIGITAL TESTER DURING PLAYBACK.

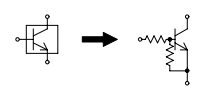
NOTE: THIS SCHEMATIC DIAGRAM IS THE LATEST AT THE TIME OF PRINTING AND SUBJECT TO CHANGE WITHOUT NOTICE.

CAUTION: SINCE THESE PARTS MARKED BY ARE CRITICAL FOR SAFETY, USE ONES DESCRIBED IN PARTS LIST ONLY.

V V: THE PICTURE ON SCREEN APPEARS DURING PLAYBACK.

NOTE: THE RESISTOR MARKED F IS FUSE RESISTOR. THE ALUMI ELECTROLYTIC CAPACITOR MARKED NP IS NON POLAR ONE.

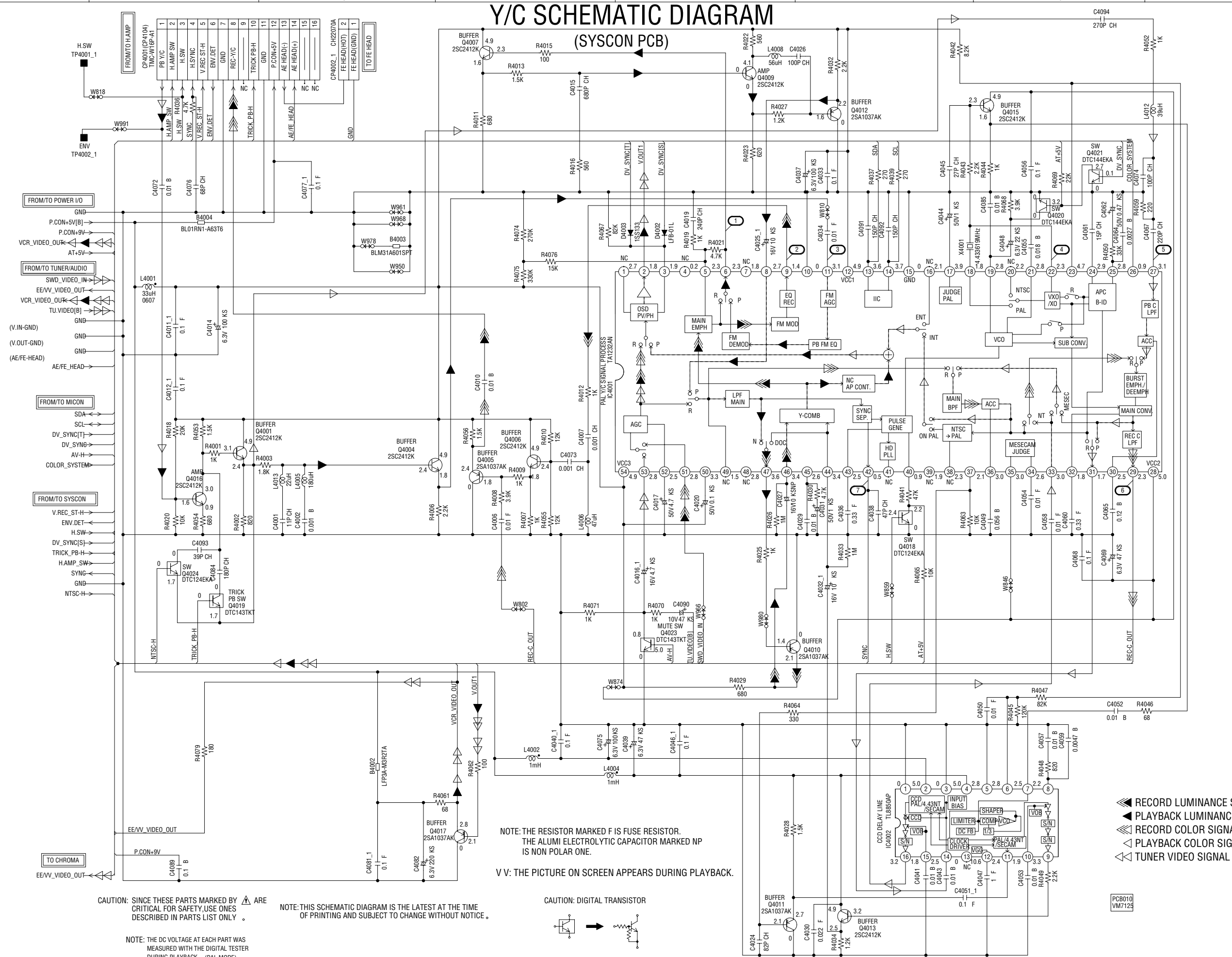
CAUTION: DIGITAL TRANSISTOR



TUNER VIDEO SIGNAL  
 AUDIO SIGNAL(REC)

# Y/C SCHEMATIC DIAGRAM

(SYSCON PCB)



NOTE: THE RESISTOR MARKED F IS FUSE RESISTOR.  
THE ALUMI ELECTROLYTIC CAPACITOR MARKED NP IS NON POLAR ONE.

V V: THE PICTURE ON SCREEN APPEARS DURING PLAYBACK.

CAUTION: DIGITAL TRANSISTOR



CAUTION: SINCE THESE PARTS MARKED BY ARE CRITICAL FOR SAFETY, USE ONES DESCRIBED IN PARTS LIST ONLY.

NOTE: THIS SCHEMATIC DIAGRAM IS THE LATEST AT THE TIME OF PRINTING AND SUBJECT TO CHANGE WITHOUT NOTICE.

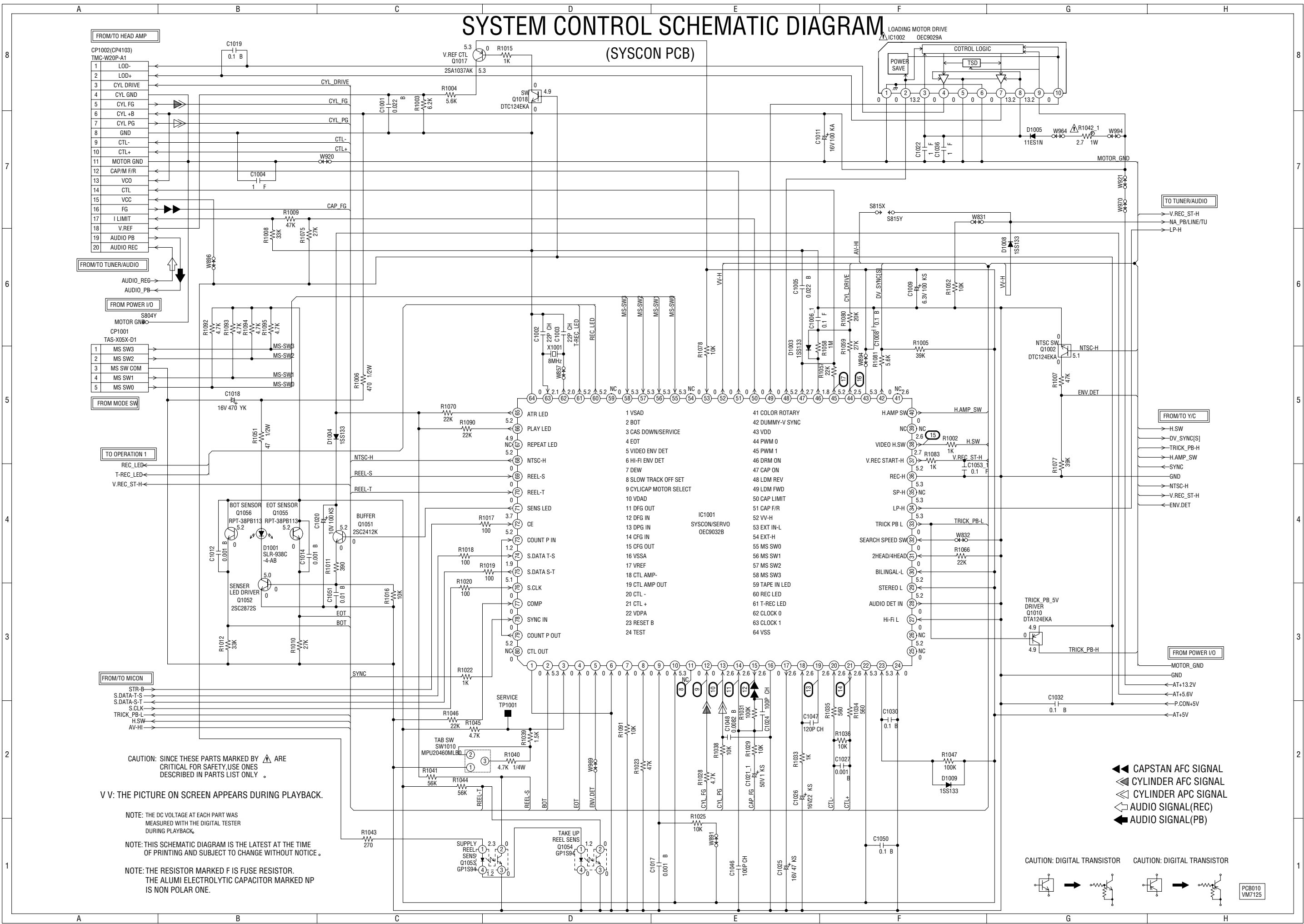
NOTE: THE DC VOLTAGE AT EACH PART WAS MEASURED WITH THE DIGITAL TESTER DURING PLAYBACK. (PAL MODE)

- RECORD LUMINANCE SIGNAL
- RECORD LUMINANCE SIGNAL
- RECORD COLOR SIGNAL
- PLAYBACK COLOR SIGNAL
- TUNER VIDEO SIGNAL

PCB010 VM7125

# SYSTEM CONTROL SCHEMATIC DIAGRAM

(SYSCON PCB)



FROM/TO HEAD AMP

- CP1002(CP4103)  
TMC-W20P-A1
- 1 LOD-
  - 2 LOD+
  - 3 CYL DRIVE
  - 4 CYL GND
  - 5 CYL FG
  - 6 CYL +B
  - 7 CYL PG
  - 8 GND
  - 9 CTL-
  - 10 CTL+
  - 11 MOTOR GND
  - 12 CAP/M F/R
  - 13 VCO
  - 14 CTL
  - 15 VCC
  - 16 FG
  - 17 I LIMIT
  - 18 V.REF
  - 19 AUDIO PB
  - 20 AUDIO REC

FROM/TO TUNER/AUDIO

- AUDIO\_REC
- AUDIO\_PB

FROM POWER I/O

- S804Y  
MOTOR GND

- CP1001  
TAS-X05X-D1
- 1 MS SW3
  - 2 MS SW2
  - 3 MS SW COM
  - 4 MS SW1
  - 5 MS SW0

FROM MODE SW

- REC\_LED
- T-REC\_LED
- V\_REC\_ST-H

TO OPERATION 1

- REEL-S
- REEL-T
- NTSC-H

FROM/TO MICON

- STR-B
- S.DATA-T-S
- S.DATA-S-T
- S.CLK
- TRICK\_PB-L
- H.SW
- AV-HI

CAUTION: SINCE THESE PARTS MARKED BY ARE CRITICAL FOR SAFETY USE ONES DESCRIBED IN PARTS LIST ONLY.

V V: THE PICTURE ON SCREEN APPEARS DURING PLAYBACK.

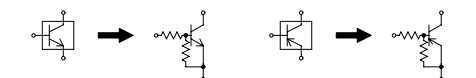
NOTE: THE DC VOLTAGE AT EACH PART WAS MEASURED WITH THE DIGITAL TESTER DURING PLAYBACK.

NOTE: THIS SCHEMATIC DIAGRAM IS THE LATEST AT THE TIME OF PRINTING AND SUBJECT TO CHANGE WITHOUT NOTICE.

NOTE: THE RESISTOR MARKED F IS FUSE RESISTOR. THE ALUMI ELECTROLYTIC CAPACITOR MARKED NP IS NON POLAR ONE.

- CAPSTAN AFC SIGNAL
- CYLINDER AFC SIGNAL
- CYLINDER APC SIGNAL
- AUDIO SIGNAL(REC)
- AUDIO SIGNAL(PB)

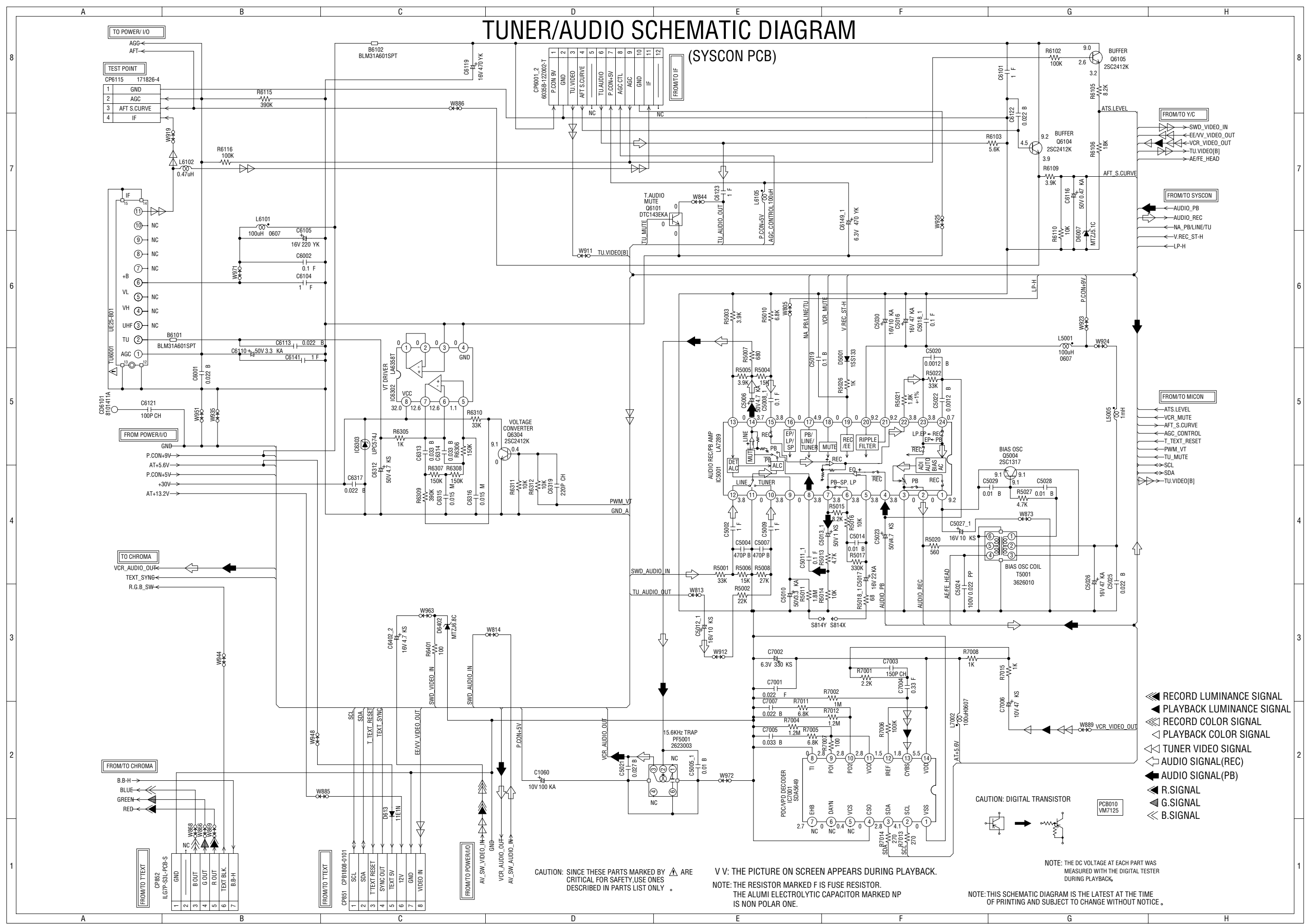
CAUTION: DIGITAL TRANSISTOR



PCB010  
VM7125

# TUNER/AUDIO SCHEMATIC DIAGRAM

(SYSCON PCB)



- ▶ RECORD LUMINANCE SIGNAL
- ▶ PLAYBACK LUMINANCE SIGNAL
- ▶ RECORD COLOR SIGNAL
- ▶ PLAYBACK COLOR SIGNAL
- ▶ TUNER VIDEO SIGNAL
- ▶ AUDIO SIGNAL (REC)
- ▶ AUDIO SIGNAL (PB)
- ▶ R.SIGNAL
- ▶ G.SIGNAL
- ▶ B.SIGNAL

CAUTION: SINCE THESE PARTS MARKED BY ARE CRITICAL FOR SAFETY, USE ONES DESCRIBED IN PARTS LIST ONLY.

V V: THE PICTURE ON SCREEN APPEARS DURING PLAYBACK.  
NOTE: THE RESISTOR MARKED F IS FUSE RESISTOR.  
THE ALUMI ELECTROLYTIC CAPACITOR MARKED NP IS NON POLAR ONE.

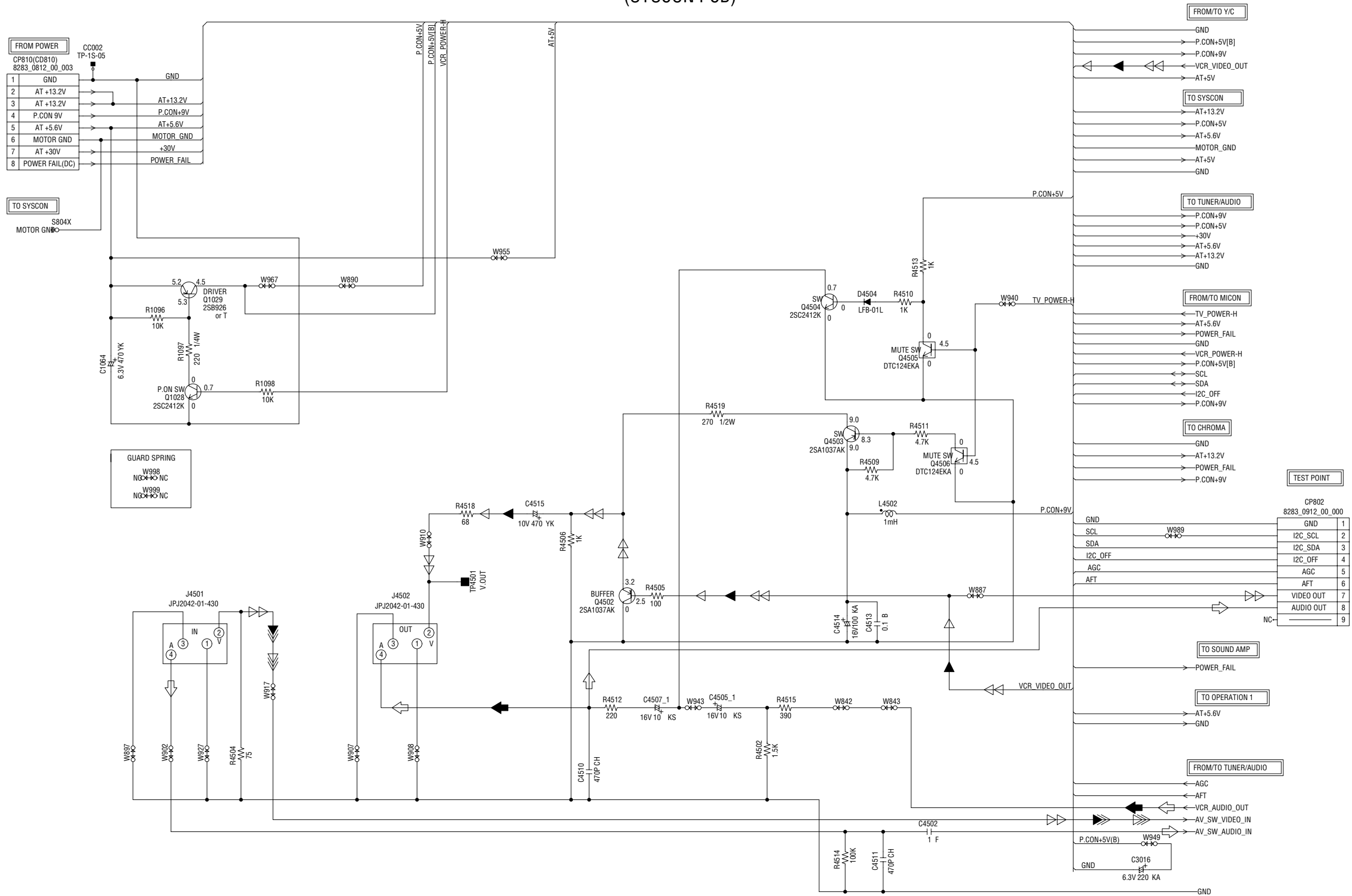
CAUTION: DIGITAL TRANSISTOR

NOTE: THE DC VOLTAGE AT EACH PART WAS MEASURED WITH THE DIGITAL TESTER DURING PLAYBACK.

NOTE: THIS SCHEMATIC DIAGRAM IS THE LATEST AT THE TIME OF PRINTING AND SUBJECT TO CHANGE WITHOUT NOTICE.

# POWER/IN/OUT SCHEMATIC DIAGRAM

(SYSCON PCB)



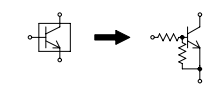
CAUTION: SINCE THESE PARTS MARKED BY ARE CRITICAL FOR SAFETY, USE ONES DESCRIBED IN PARTS LIST ONLY.

V V: THE PICTURE ON SCREEN APPEARS DURING PLAYBACK.  
NOTE: THE RESISTOR MARKED F IS FUSE RESISTOR.  
THE ALUMI ELECTROLYTIC CAPACITOR MARKED NP IS NON POLAR ONE.

NOTE: THE DC VOLTAGE AT EACH PART WAS MEASURED WITH THE DIGITAL TESTER DURING PLAYBACK.

NOTE: THIS SCHEMATIC DIAGRAM IS THE LATEST AT THE TIME OF PRINTING AND SUBJECT TO CHANGE WITHOUT NOTICE.

CAUTION: DIGITAL TRANSISTOR

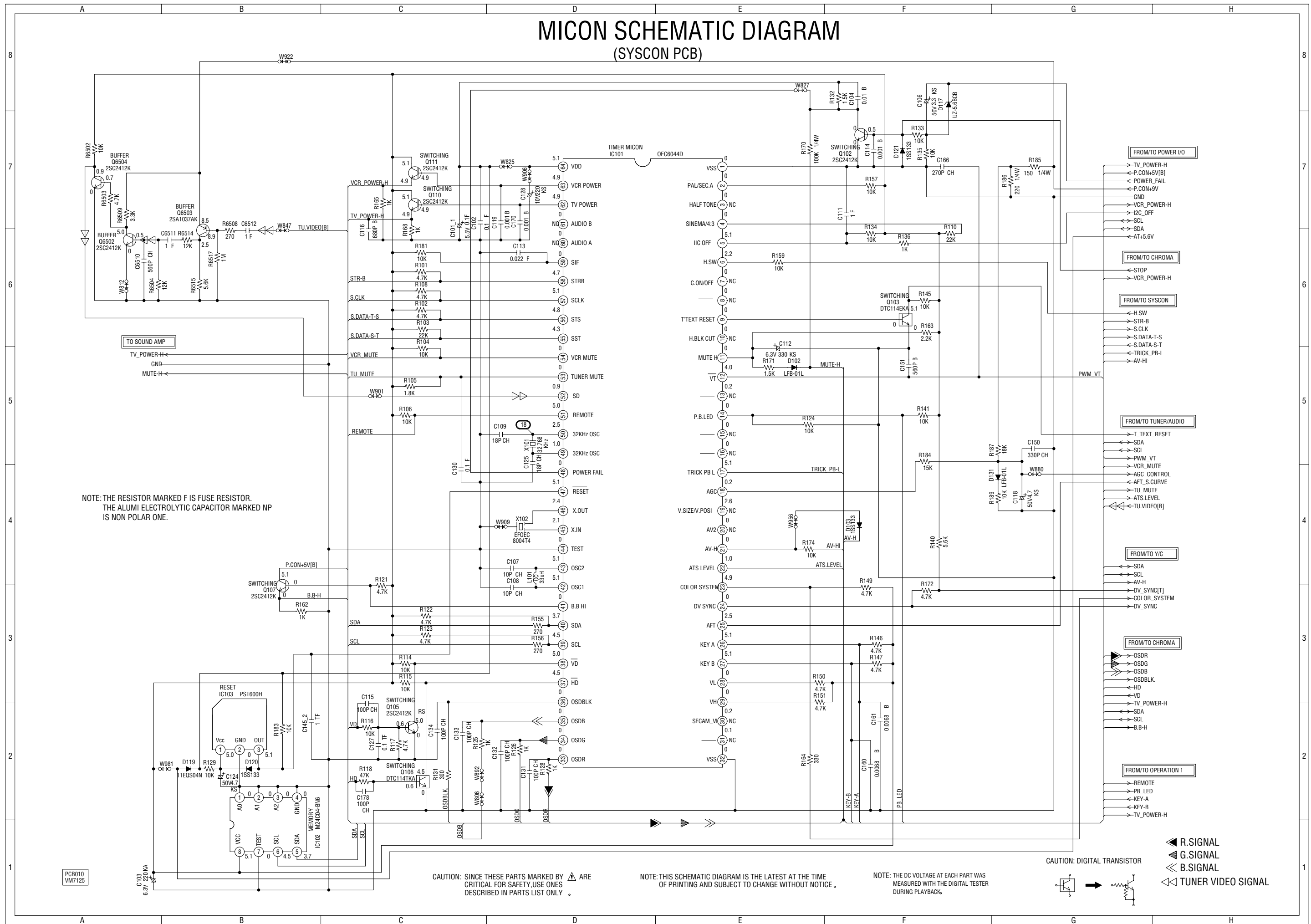


- RECORD LUMINANCE SIGNAL
- RECORD COLOR SIGNAL
- TUNER VIDEO SIGNAL
- AUDIO SIGNAL (PB)
- AUDIO SIGNAL (REC)
- PLAYBACK LUMINANCE SIGNAL
- PLAYBACK COLOR SIGNAL

PCB010  
VM7125

# MICON SCHEMATIC DIAGRAM

## (SYSCON PCB)



NOTE: THE RESISTOR MARKED F IS FUSE RESISTOR.  
THE ALUMI ELECTROLYTIC CAPACITOR MARKED NP  
IS NON POLAR ONE.

CAUTION: SINCE THESE PARTS MARKED BY  $\triangle$  ARE  
CRITICAL FOR SAFETY, USE ONES  
DESCRIBED IN PARTS LIST ONLY .

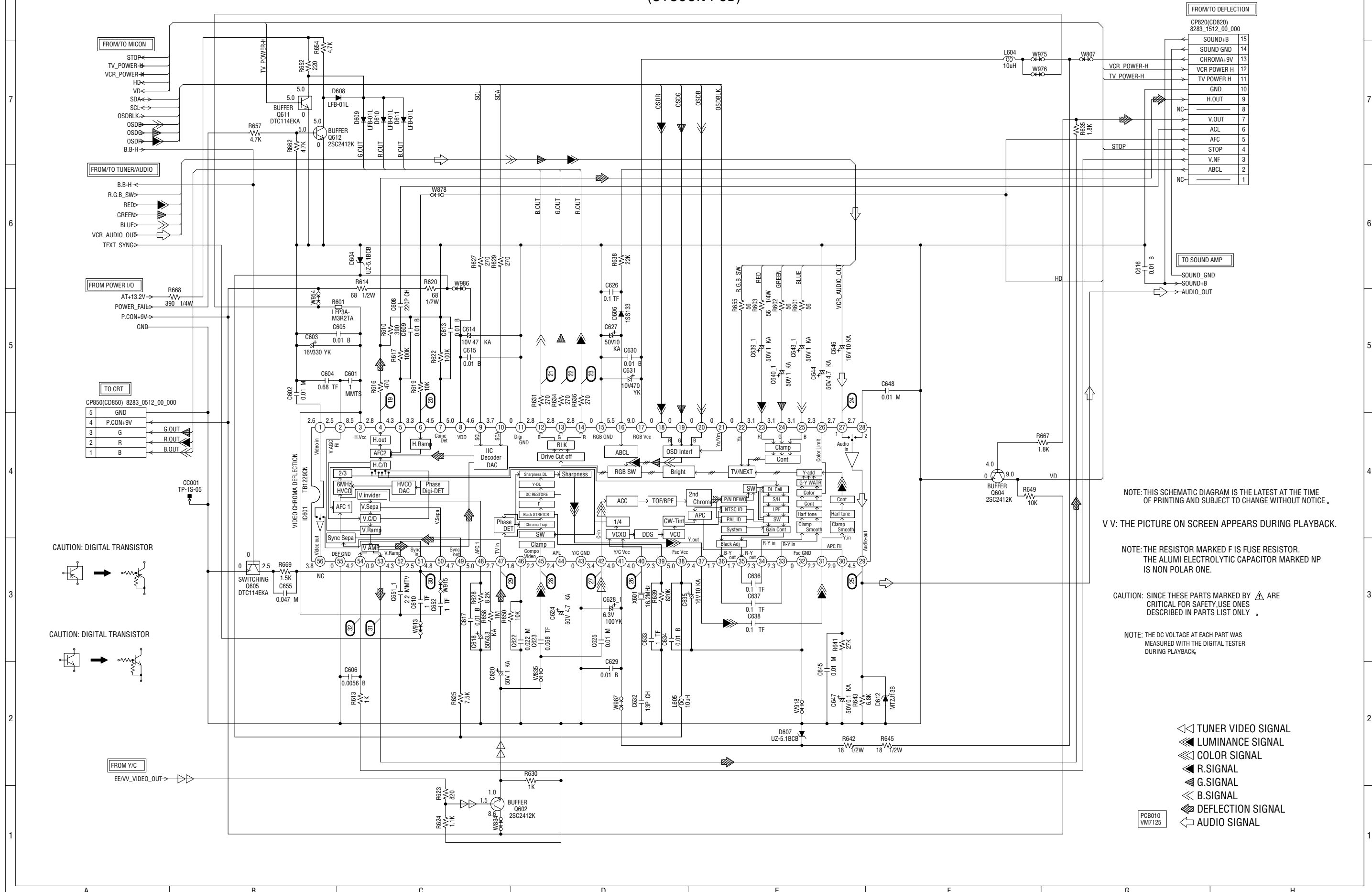
NOTE: THIS SCHEMATIC DIAGRAM IS THE LATEST AT THE TIME  
OF PRINTING AND SUBJECT TO CHANGE WITHOUT NOTICE .

NOTE: THE DC VOLTAGE AT EACH PART WAS  
MEASURED WITH THE DIGITAL TESTER  
DURING PLAYBACK.

CAUTION: DIGITAL TRANSISTOR

- $\blacktriangle$  R.SIGNAL
- $\triangle$  G.SIGNAL
- $\triangleleft$  B.SIGNAL
- $\triangle$  TUNER VIDEO SIGNAL

# CHROMA SCHEMATIC DIAGRAM (SYSCON PCB)



NOTE: THIS SCHEMATIC DIAGRAM IS THE LATEST AT THE TIME OF PRINTING AND SUBJECT TO CHANGE WITHOUT NOTICE.

V V: THE PICTURE ON SCREEN APPEARS DURING PLAYBACK.

NOTE: THE RESISTOR MARKED F IS FUSE RESISTOR. THE ALUMI ELECTROLYTIC CAPACITOR MARKED NP IS NON POLAR ONE.

CAUTION: SINCE THESE PARTS MARKED BY ARE CRITICAL FOR SAFETY, USE ONES DESCRIBED IN PARTS LIST ONLY.

NOTE: THE DC VOLTAGE AT EACH PART WAS MEASURED WITH THE DIGITAL TESTER DURING PLAYBACK.

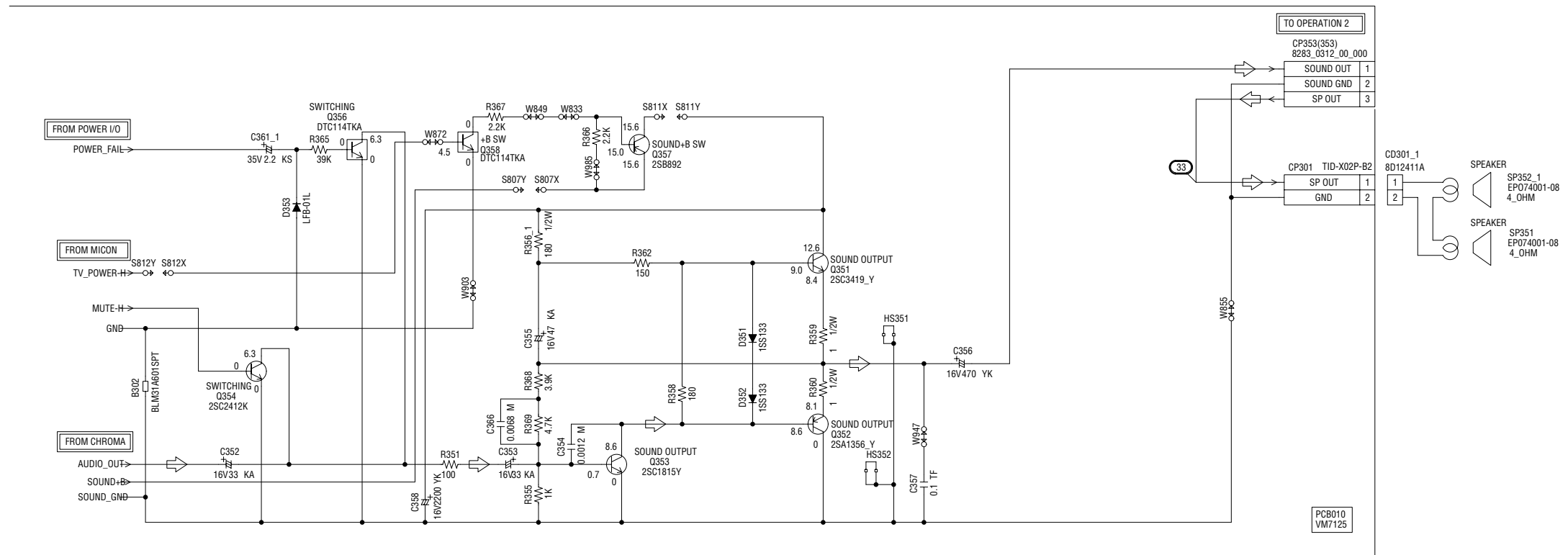
- TUNER VIDEO SIGNAL
- LUMINANCE SIGNAL
- COLOR SIGNAL
- R.SIGNAL
- G.SIGNAL
- B.SIGNAL
- DEFLECTION SIGNAL
- AUDIO SIGNAL

PCB010  
VM7125



# SOUND AMP SCHEMATIC DIAGRAM

(SYSCON PCB)



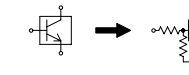
CAUTION: SINCE THESE PARTS MARKED BY ARE CRITICAL FOR SAFETY, USE ONES DESCRIBED IN PARTS LIST ONLY.

NOTE: THE RESISTOR MARKED F IS FUSE RESISTOR. THE ALUMI ELECTROLYTIC CAPACITOR MARKED NP IS NON POLAR ONE.

NOTE: THIS SCHEMATIC DIAGRAM IS THE LATEST AT THE TIME OF PRINTING AND SUBJECT TO CHANGE WITHOUT NOTICE.

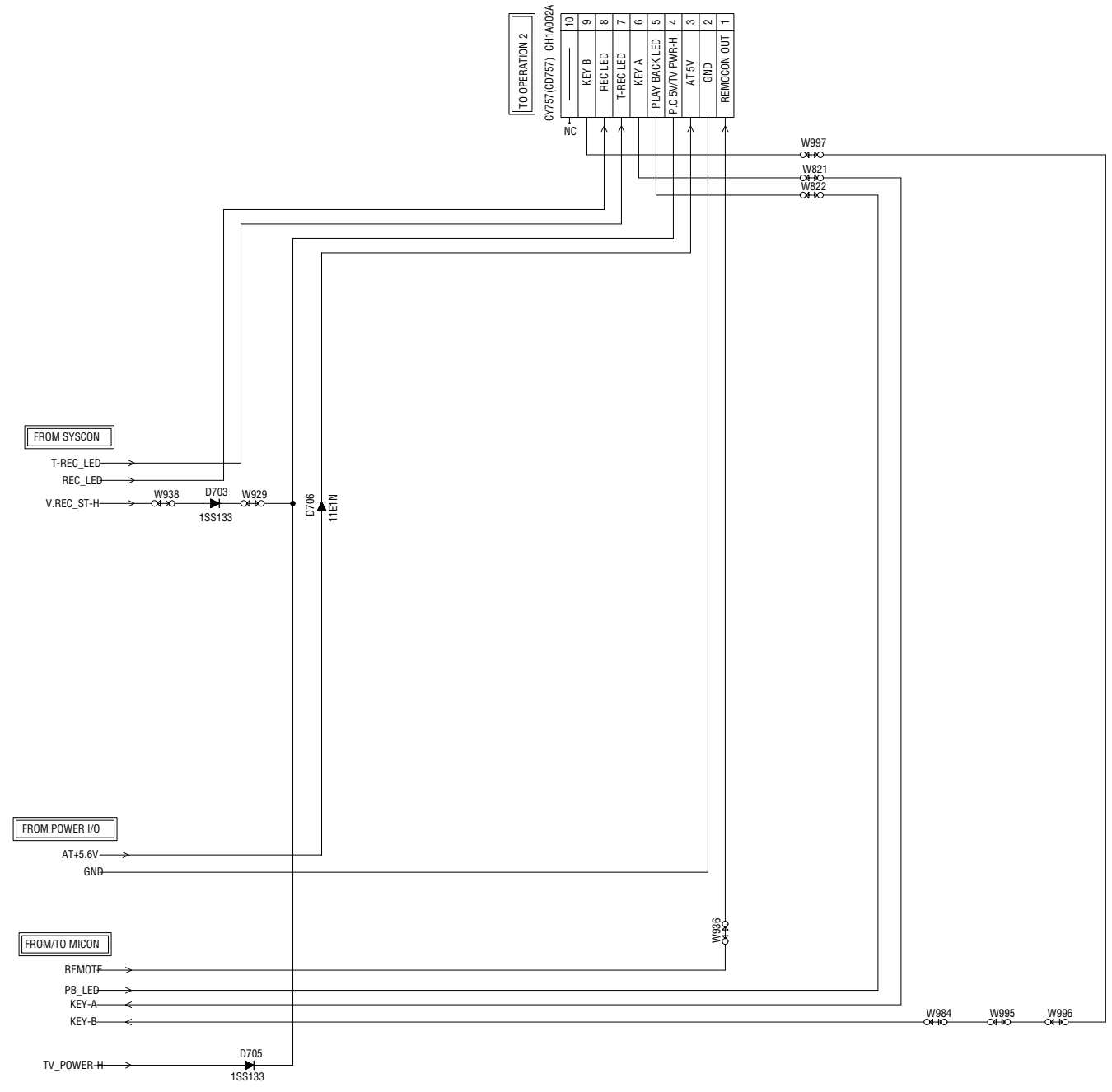
NOTE: THE DC VOLTAGE AT EACH PART WAS MEASURED WITH THE DIGITAL TESTER DURING PLAYBACK.

CAUTION: DIGITAL TRANSISTOR



← AUDIO SIGNAL

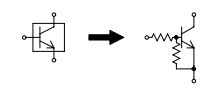
# OPERATION 1 SCHEMATIC DIAGRAM (SYSCON PCB)



PCB010  
VM7125

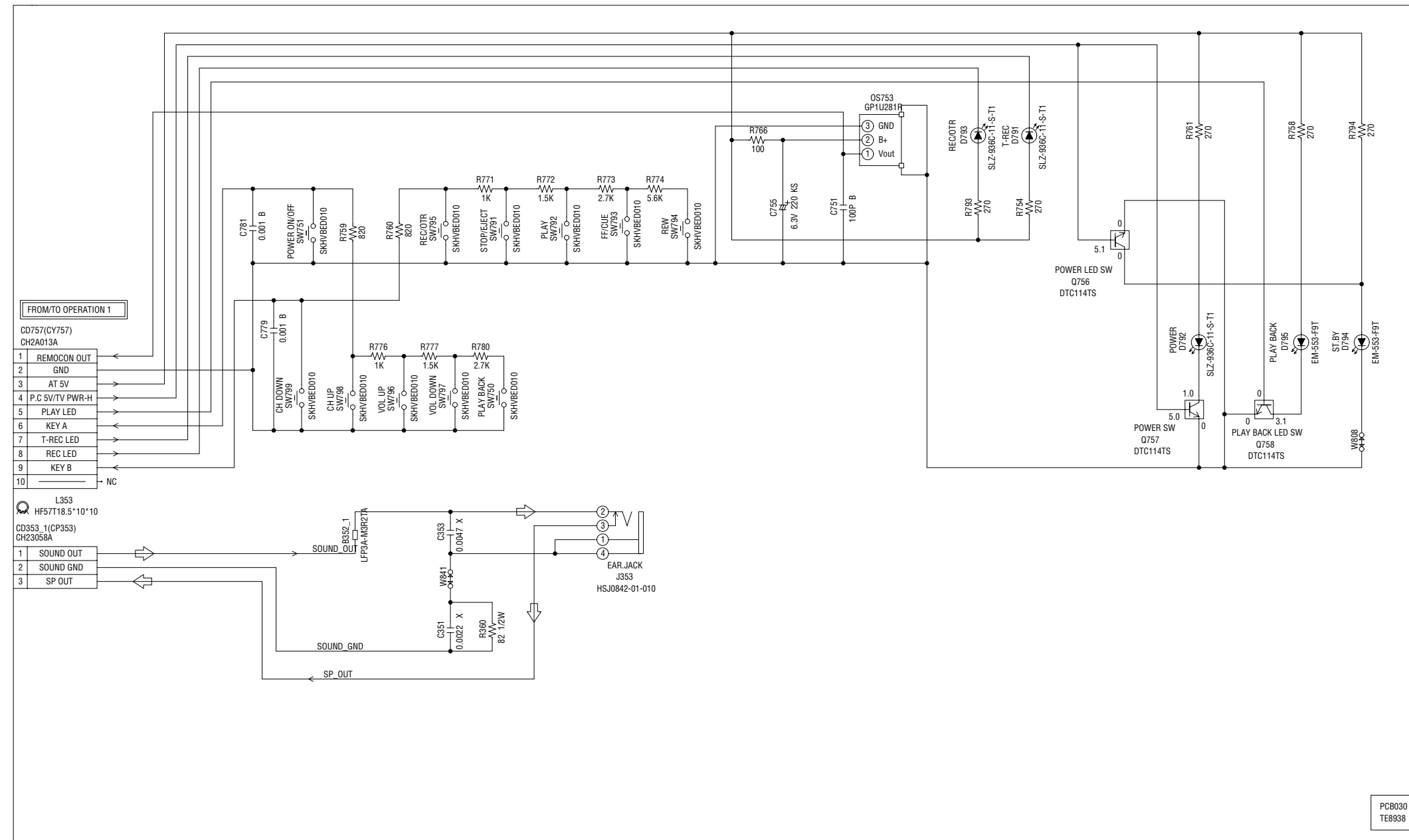
NOTE: THIS SCHEMATIC DIAGRAM IS THE LATEST AT THE TIME OF PRINTING AND SUBJECT TO CHANGE WITHOUT NOTICE.

CAUTION: DIGITAL TRANSISTOR



# OPERATION 2 SCHEMATIC DIAGRAM

(OPERATION PCB)



FROM/TO OPERATION 1

CD757(CY757) CH2A013A	
1	REMOCON OUT
2	GND
3	AT 5V
4	P.C 5V/TV PWR-H
5	PLAY LED
6	KEY A
7	T-REC LED
8	REC LED
9	KEY B
10	NC

L353 HF57T18.5*10*10	
1	SOUND OUT
2	SOUND GND
3	SP OUT

NOTE: THE DC VOLTAGE AT EACH PART WAS MEASURED WITH THE DIGITAL TESTER DURING PLAYBACK.

NOTE: THIS SCHEMATIC DIAGRAM IS THE LATEST AT THE TIME OF PRINTING AND SUBJECT TO CHANGE WITHOUT NOTICE.

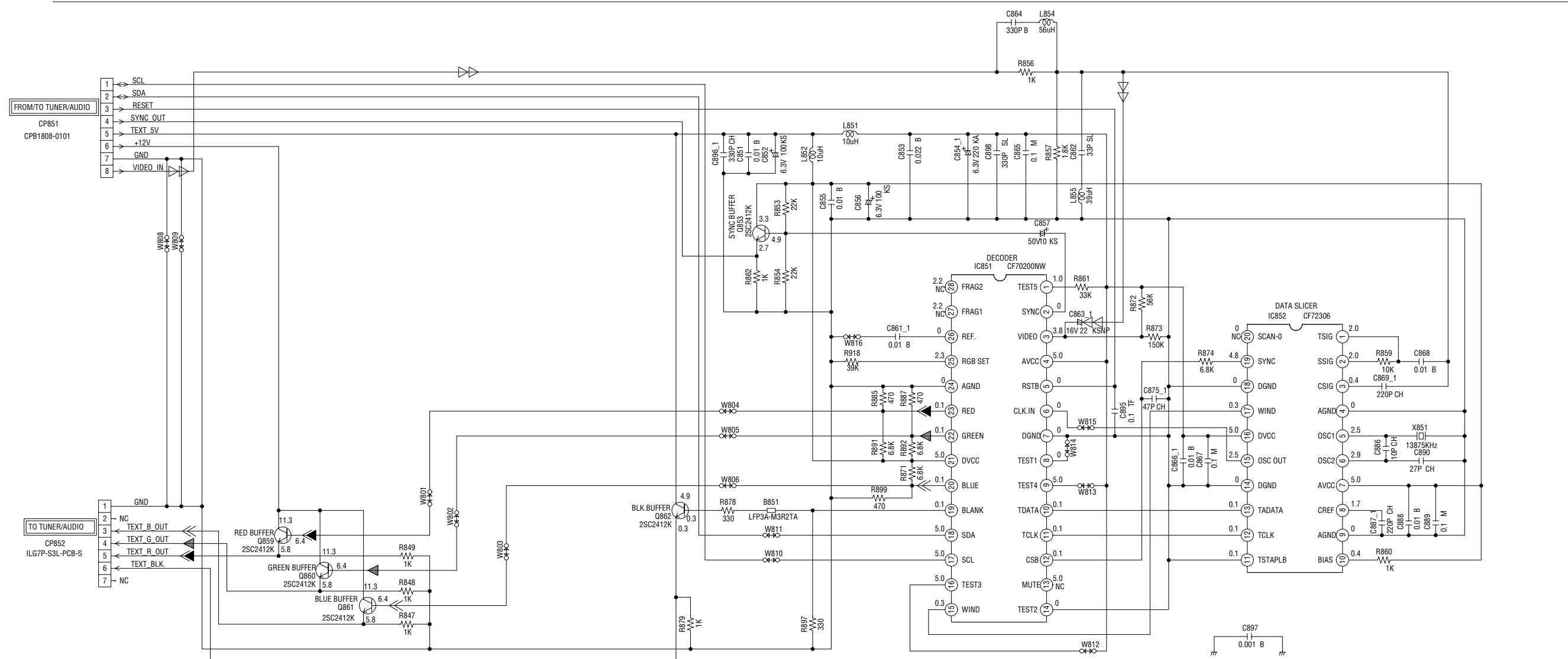
CAUTION: DIGITAL TRANSISTOR




← AUDIO SIGNAL

# T'TEXT SCHEMATIC DIAGRAM




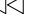
(T'TEXT PCB)



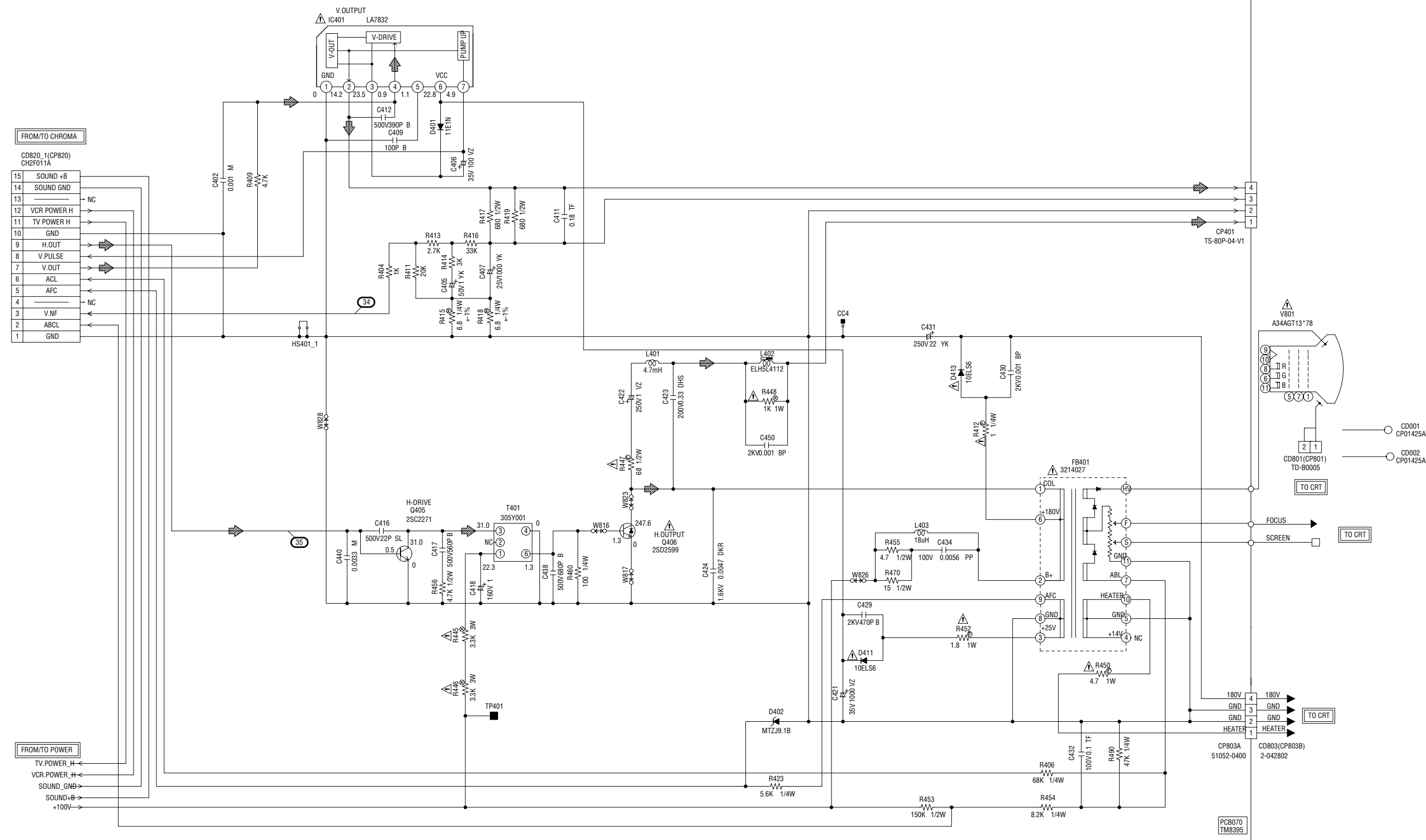
NOTE: THIS SCHEMATIC DIAGRAM IS THE LATEST AT THE TIME OF PRINTING AND SUBJECT TO CHANGE WITHOUT NOTICE.

CAUTION: SINCE THESE PARTS MARKED BY  ARE CRITICAL FOR SAFETY, USE ONES DESCRIBED IN PARTS LIST ONLY.

NOTE: THE RESISTOR MARKED F IS FUSE RESISTOR. THE ALUMI ELECTROLYTIC CAPACITOR MARKED NP IS NON POLAR ONE.

-  R.SIGNAL
-  G.SIGNAL
-  B.SIGNAL
-  TUNER VIDEO SIGNAL

# DEFLECTION SCHEMATIC DIAGRAM (MAIN PCB)



FROM/TO CHROMA

15	SOUND +B
14	SOUND GND
13	NC
12	VCR POWER H
11	TV POWER H
10	GND
9	H.OUT
8	V.PULSE
7	V.OUT
6	ACL
5	AFC
4	NC
3	V.NF
2	ABCL
1	GND

FROM/TO POWER

TV.POWER_H
VCR.POWER_H
SOUND_GND
SOUND+B
+100V

NOTE: THE DC VOLTAGE AT EACH PART WAS MEASURED WITH THE DIGITAL TESTER DURING PLAYBACK.

NOTE: THIS SCHEMATIC DIAGRAM IS THE LATEST AT THE TIME OF PRINTING AND SUBJECT TO CHANGE WITHOUT NOTICE.

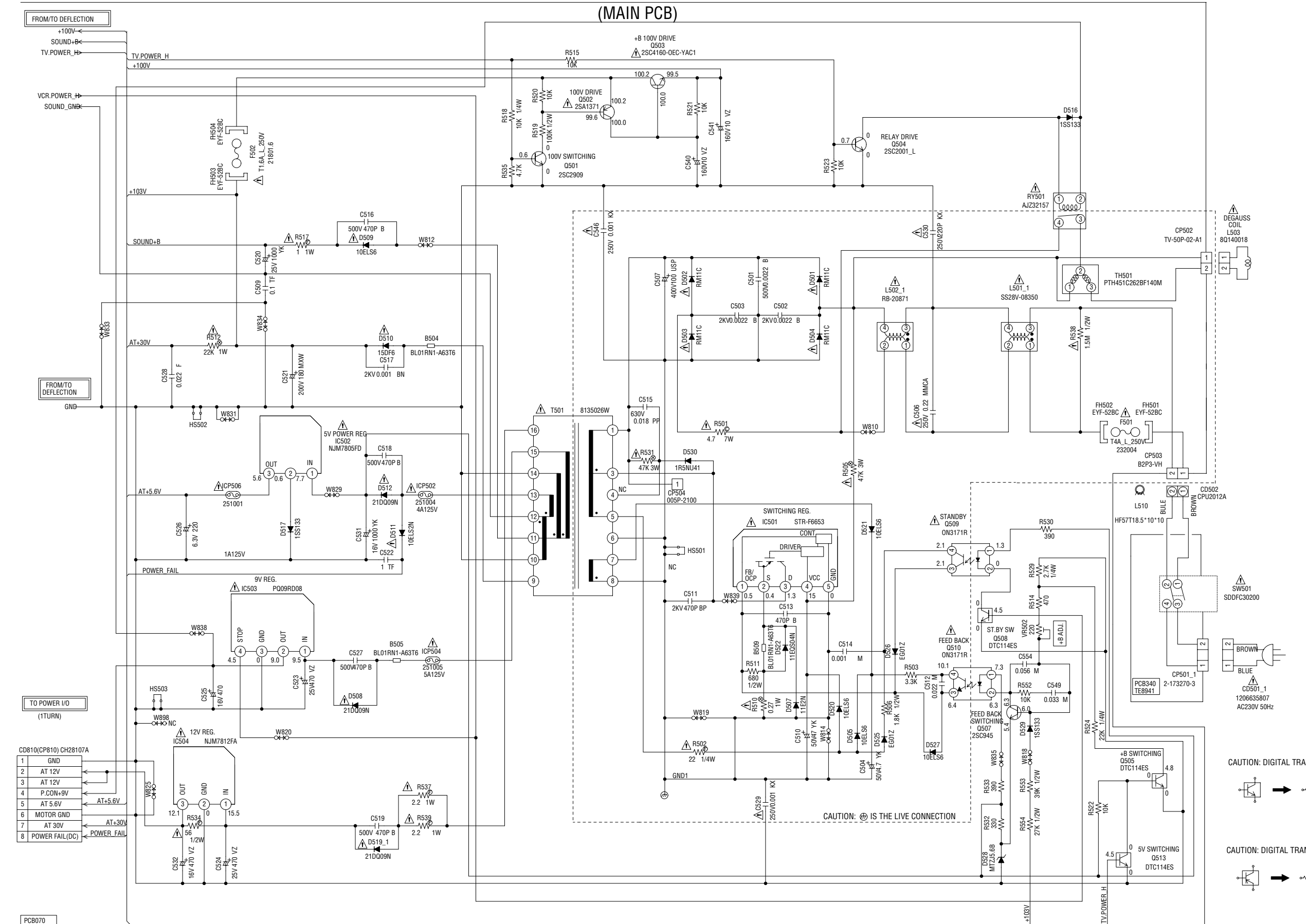
NOTE: THE RESISTOR MARKED F IS FUSE RESISTOR. THE ALUMI ELECTROLYTIC CAPACITOR MARKED NP IS NON POLAR ONE.

CAUTION: SINCE THESE PARTS MARKED BY  $\Delta$  ARE CRITICAL FOR SAFETY, USE ONES DESCRIBED IN PARTS LIST ONLY.

DEFLECTION SIGNAL

# POWER SCHEMATIC DIAGRAM

(MAIN PCB)



CD810(CP810) CH28107A

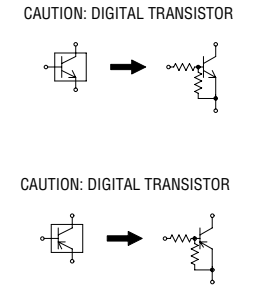
1	GND
2	AT 12V
3	AT 12V
4	P.CON+9V
5	AT 5.6V
6	MOTOR GND
7	AT 30V
8	POWER FAIL(DC)

NOTE: THE DC VOLTAGE AT EACH PART WAS MEASURED WITH THE DIGITAL TESTER DURING PLAYBACK.

NOTE: THIS SCHEMATIC DIAGRAM IS THE LATEST AT THE TIME OF PRINTING AND SUBJECT TO CHANGE WITHOUT NOTICE.

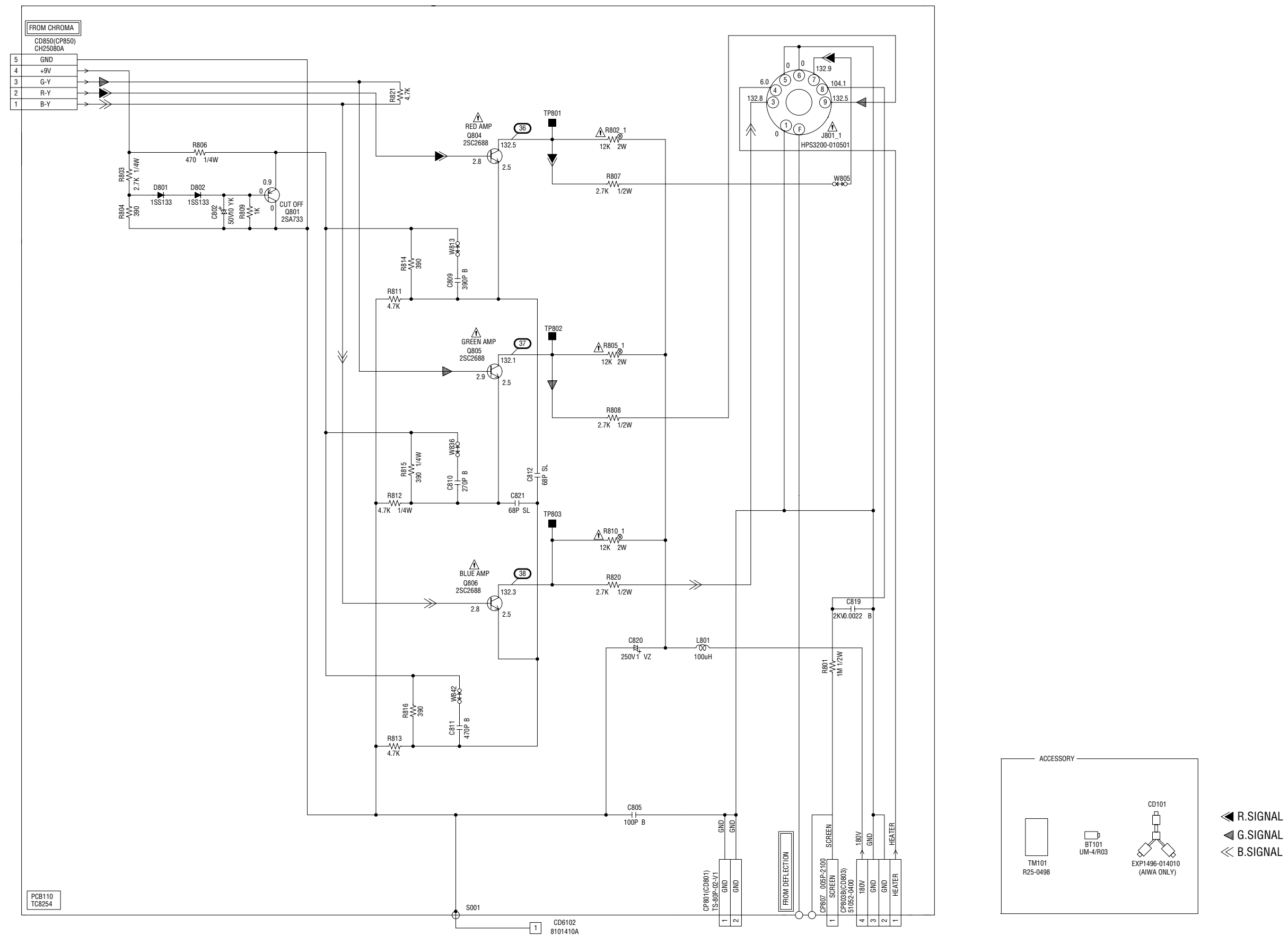
NOTE: THE RESISTOR MARKED F IS FUSE RESISTOR. THE ALUMI ELECTROLYTIC CAPACITOR MARKED NP IS NON POLAR ONE.

CAUTION: SINCE THESE PARTS MARKED BY ARE CRITICAL FOR SAFETY, USE ONES DESCRIBED IN PARTS LIST ONLY.



# CRT SCHEMATIC DIAGRAM

## (CRT PCB)

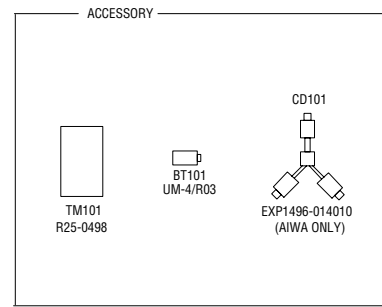


CAUTION: SINCE THESE PARTS MARKED BY ARE CRITICAL FOR SAFETY, USE ONES DESCRIBED IN PARTS LIST ONLY.

NOTE: THE RESISTOR MARKED F IS FUSE RESISTOR. THE ALUMI ELECTROLYTIC CAPACITOR MARKED NP IS NON POLAR ONE.

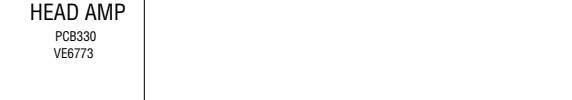
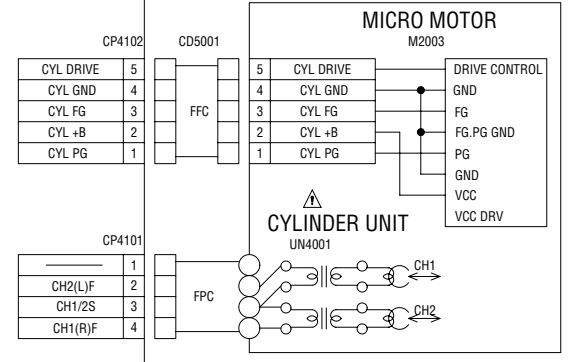
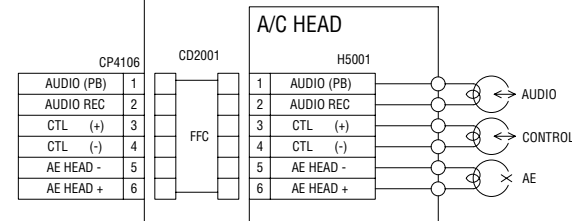
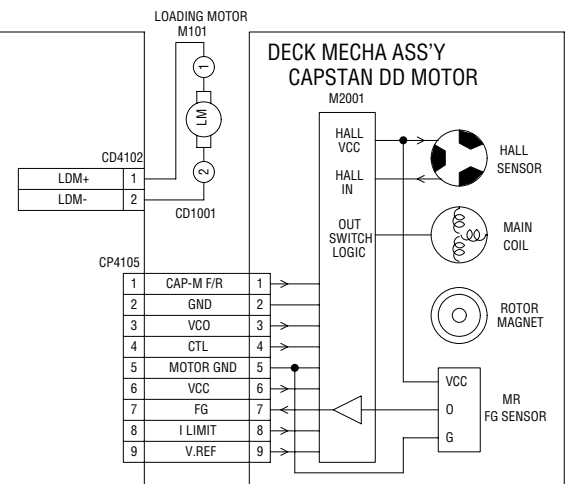
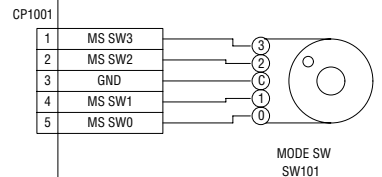
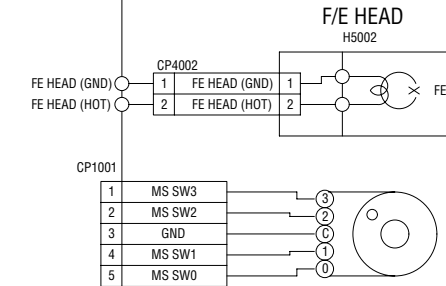
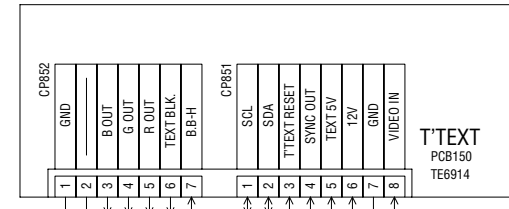
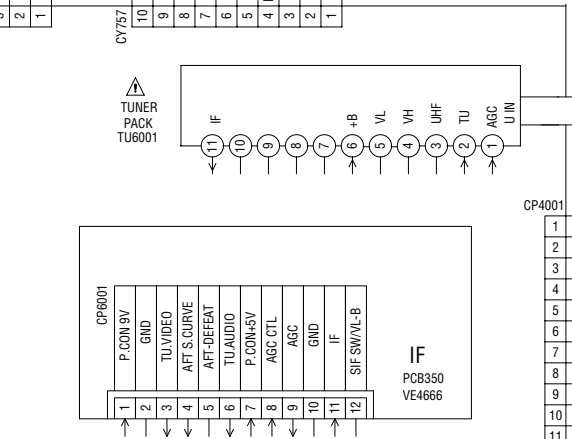
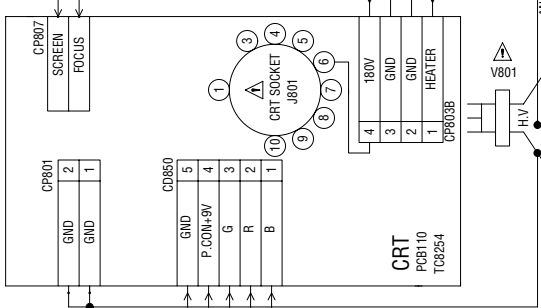
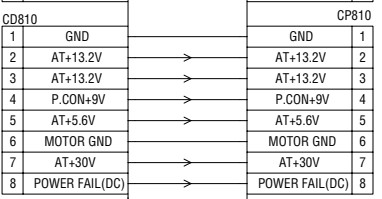
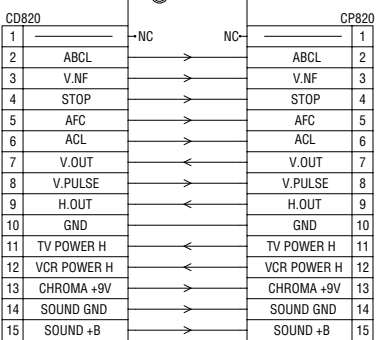
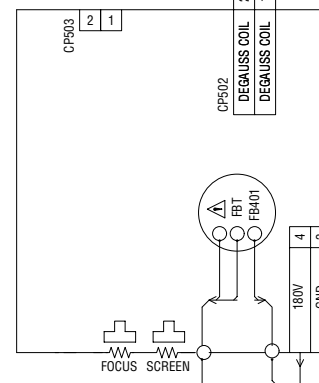
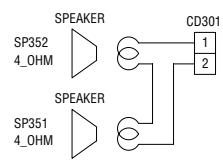
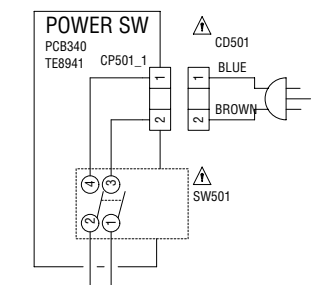
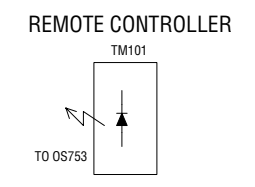
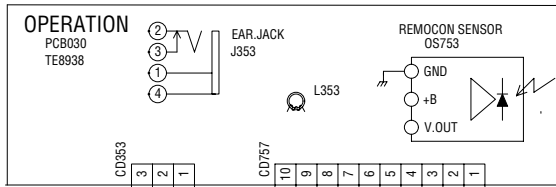
NOTE: THIS SCHEMATIC DIAGRAM IS THE LATEST AT THE TIME OF PRINTING AND SUBJECT TO CHANGE WITHOUT NOTICE.

NOTE: THE DC VOLTAGE AT EACH PART WAS MEASURED WITH THE DIGITAL TESTER DURING PLAYBACK.



R.SIGNAL  
 G.SIGNAL  
 B.SIGNAL

# INTERCONNECTION DIAGRAM



V V: THE PICTURE ON SCREEN APPEARS DURING PLAYBACK.

CAUTION: SINCE THESE PARTS MARKED BY ARE CRITICAL FOR SAFETY, USE ONES DESCRIBED IN PARTS LIST ONLY.

NOTE: THIS INTERCONNECTION DIAGRAM IS THE LATEST AT THE TIME OF PRINTING AND SUBJECT TO CHANGE WITHOUT NOTICE.